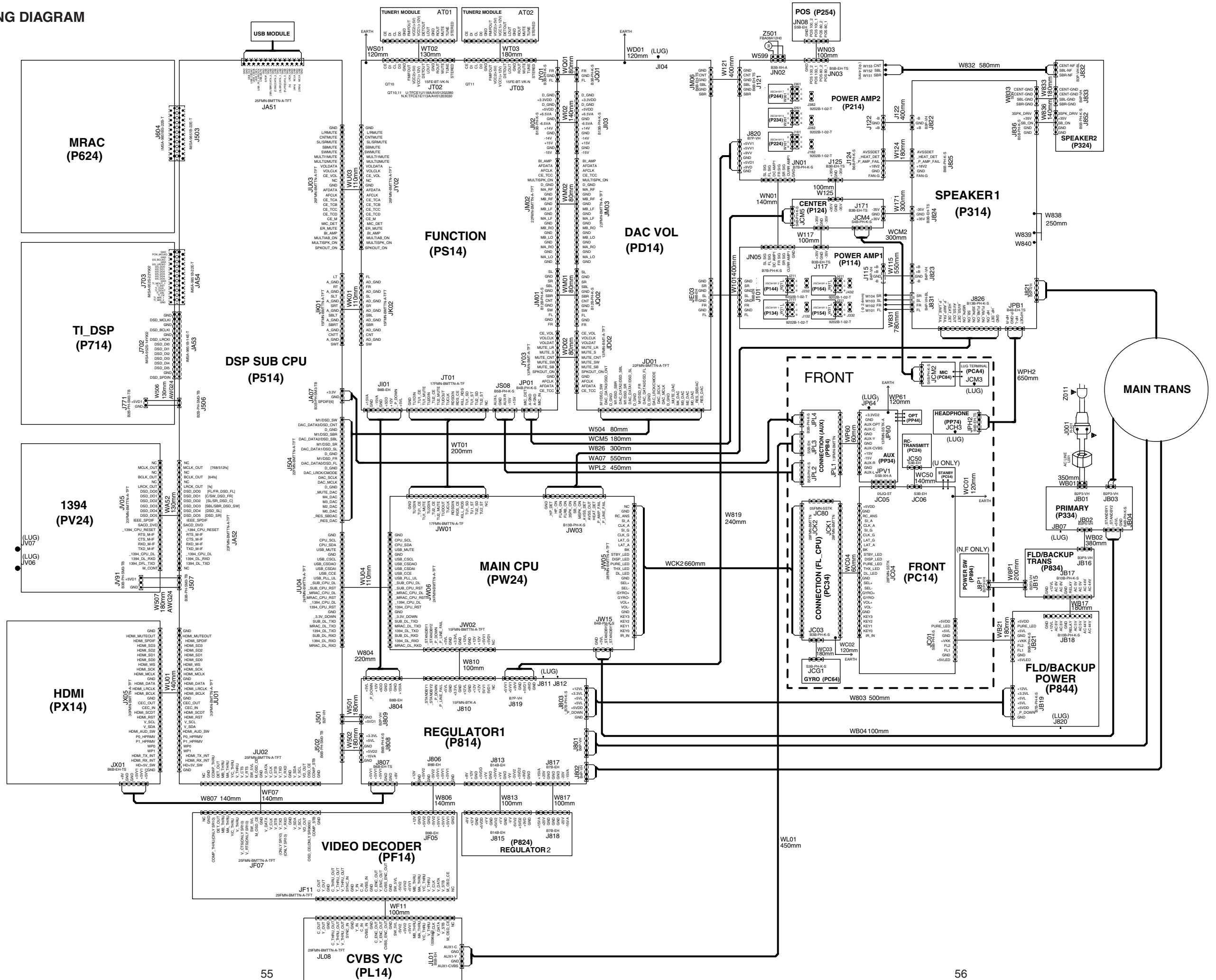
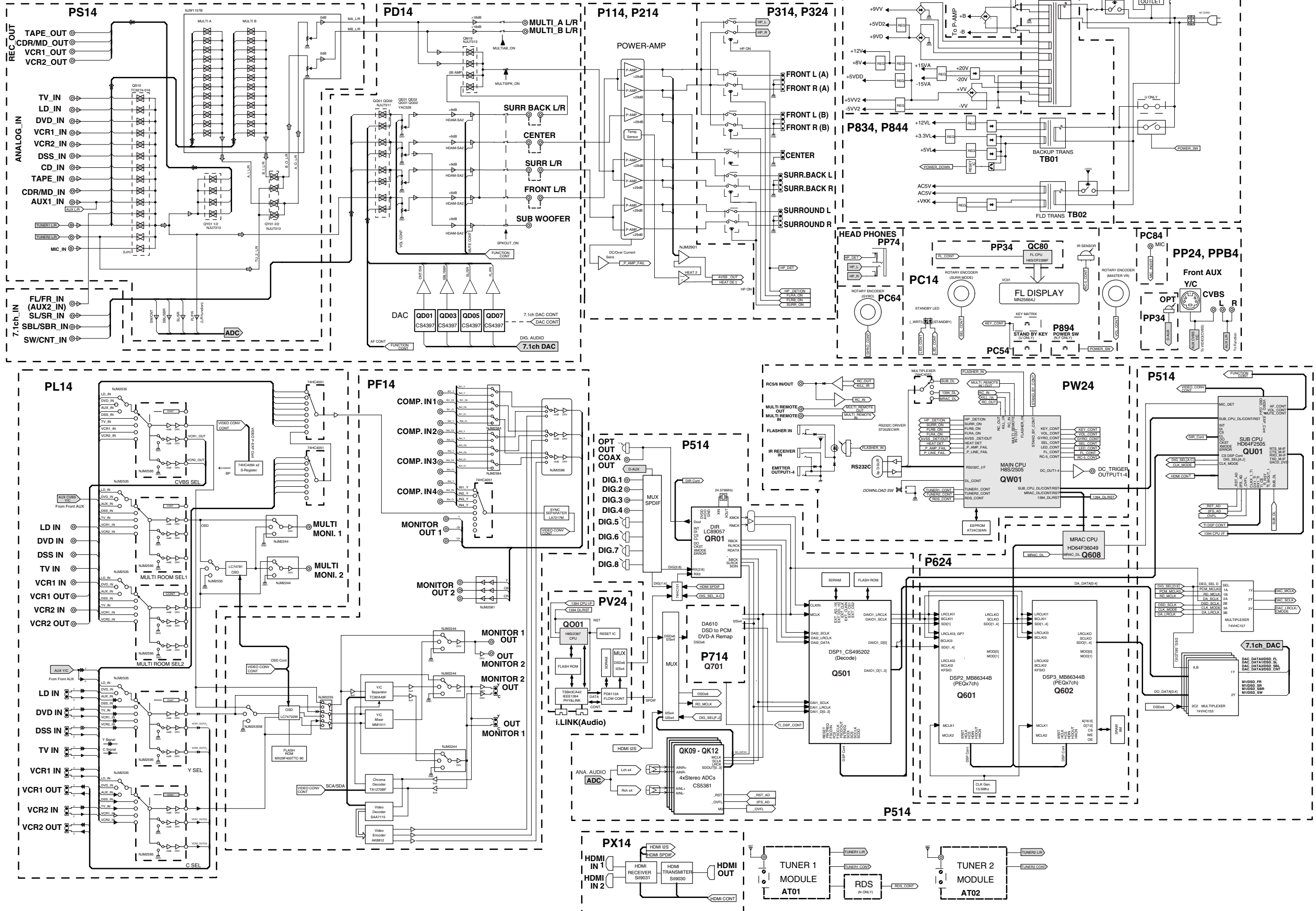


7. WIRING DIAGRAM



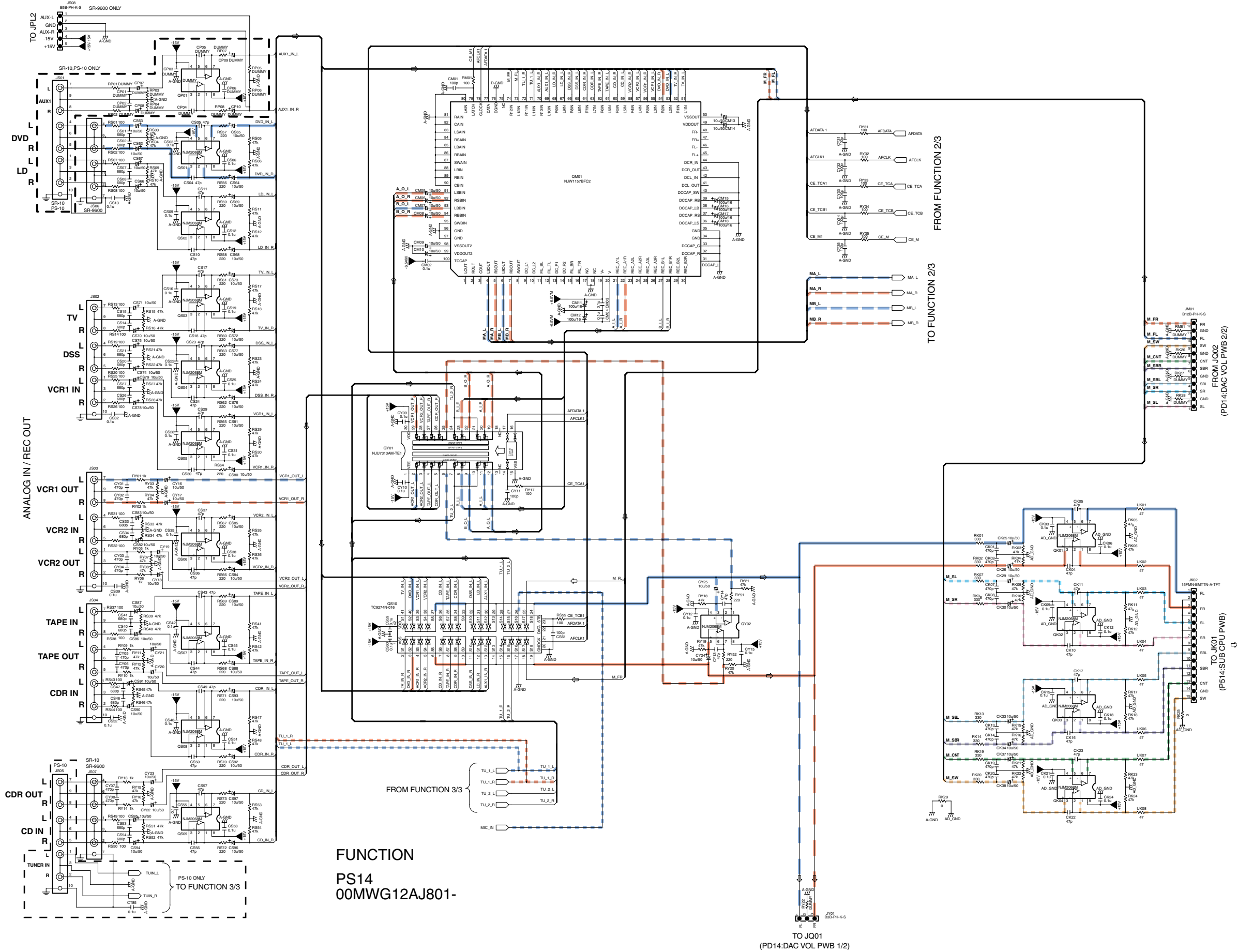
8. BLOCK DIAGRAM

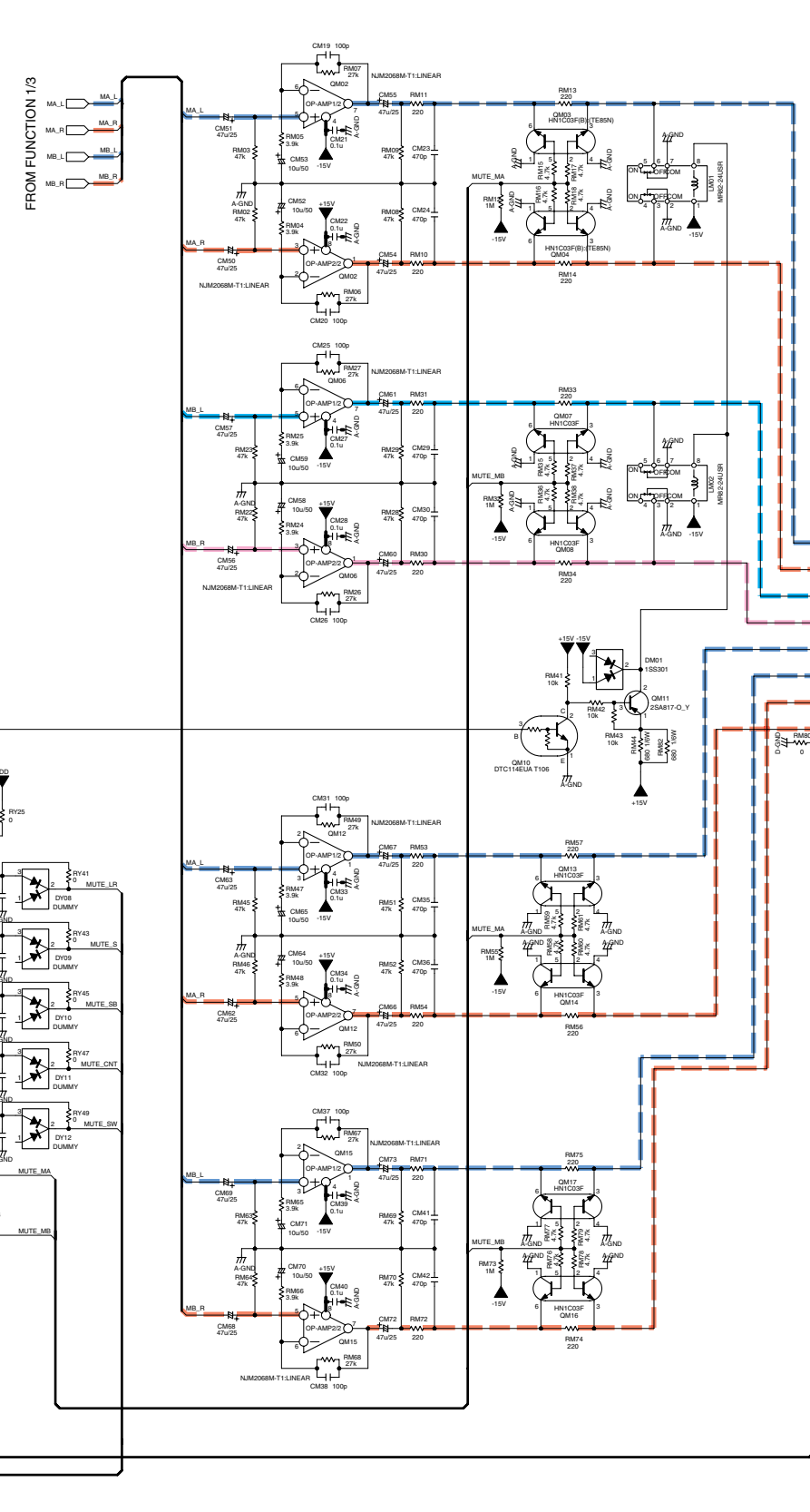
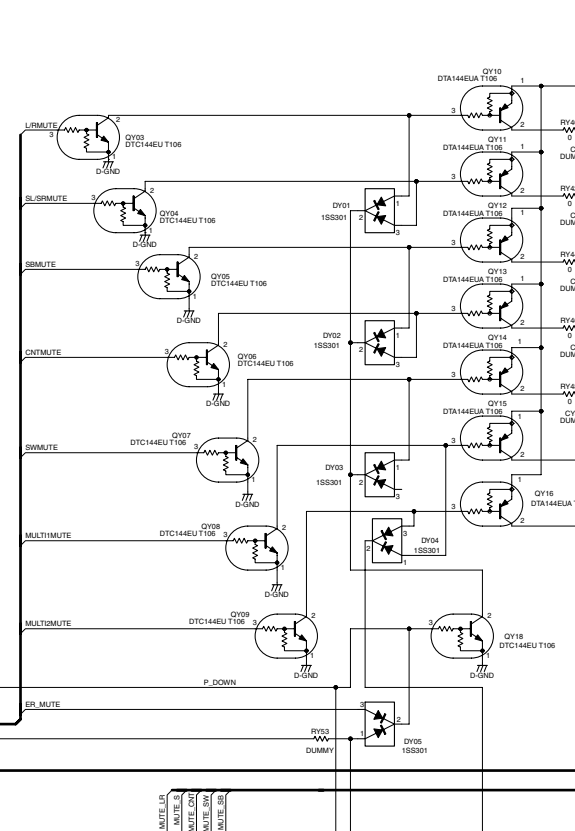
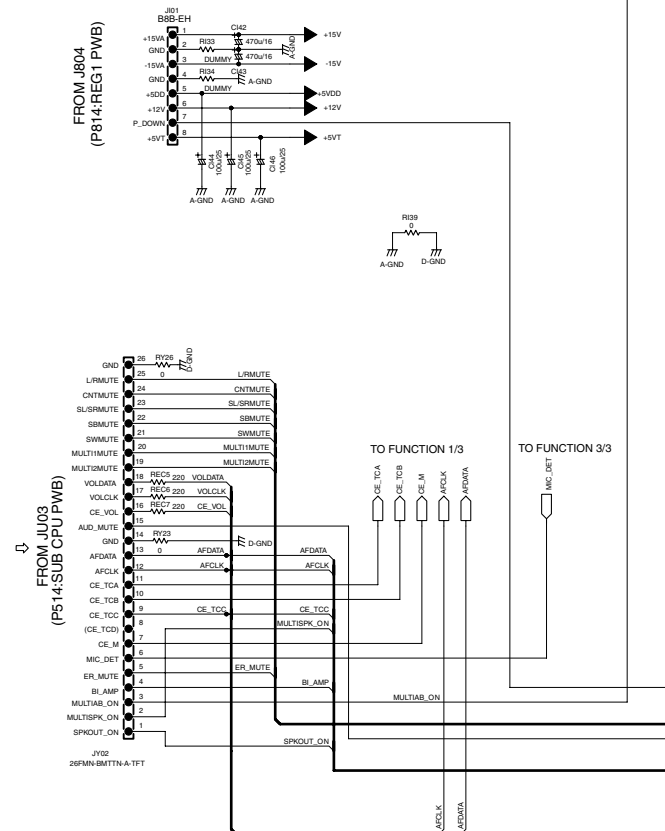
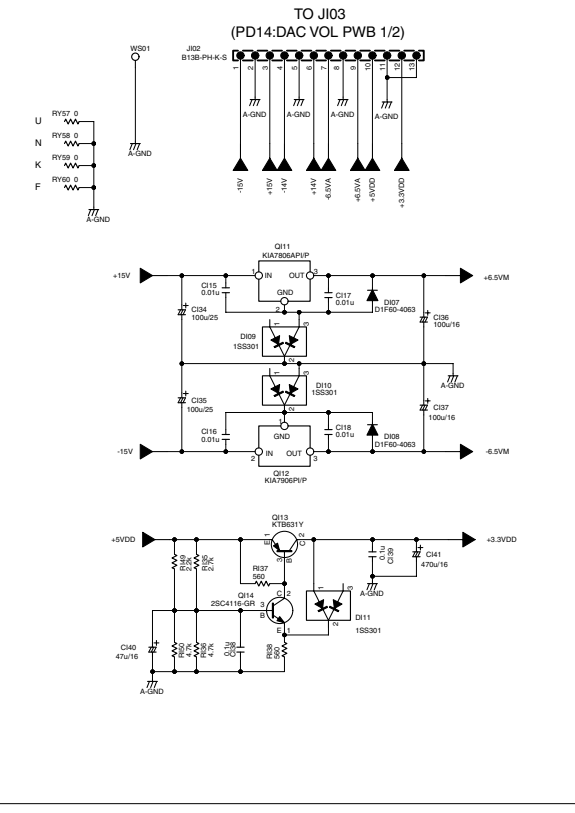
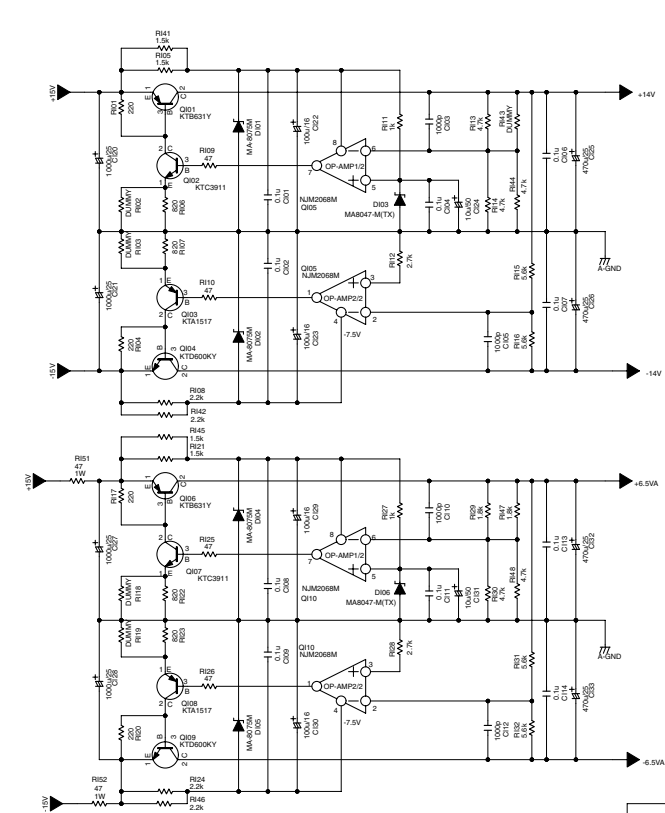


9. SCHEMATIC DIAGRAM

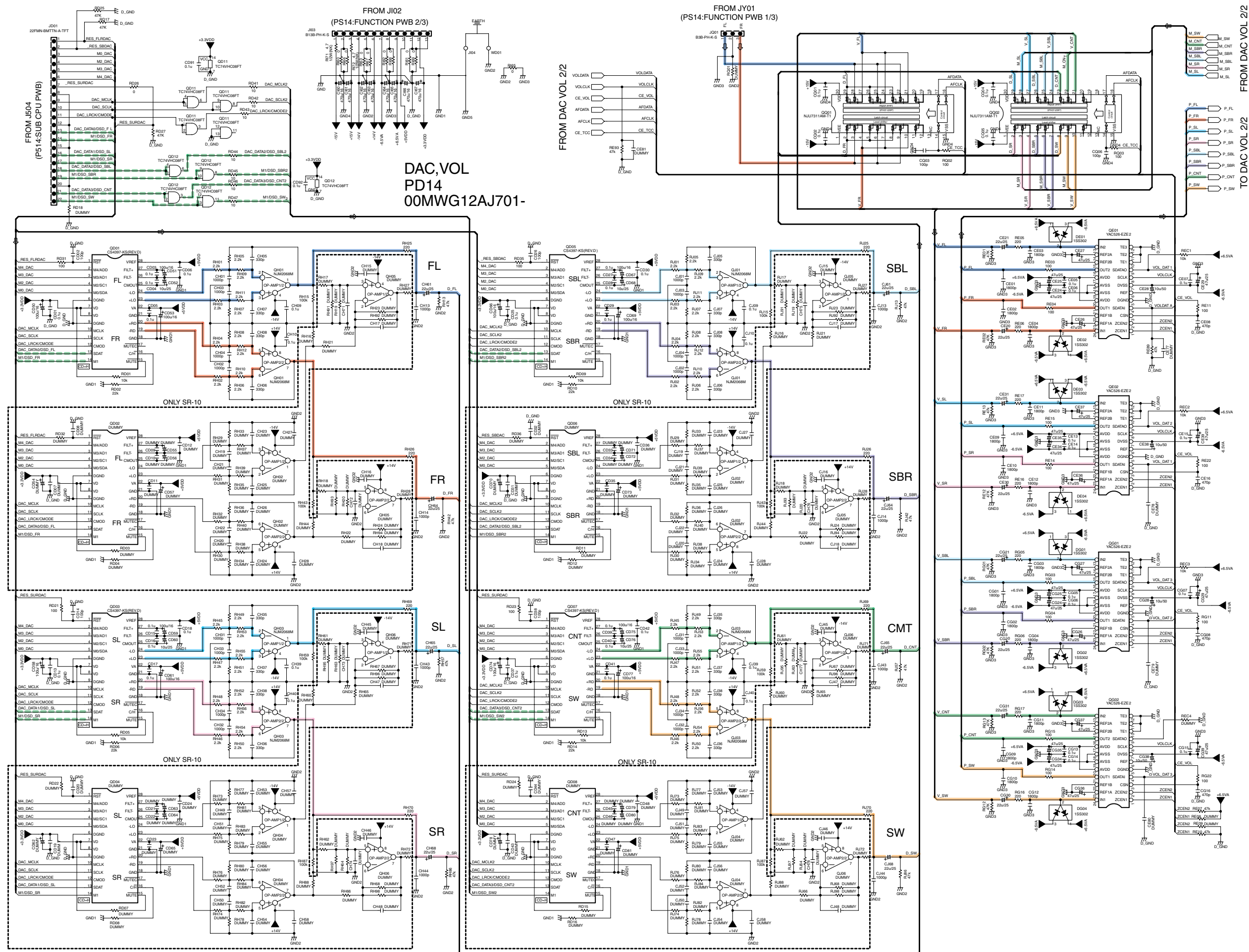
PS14 -1/3

(PP84 CONNECTION AUX PWB)





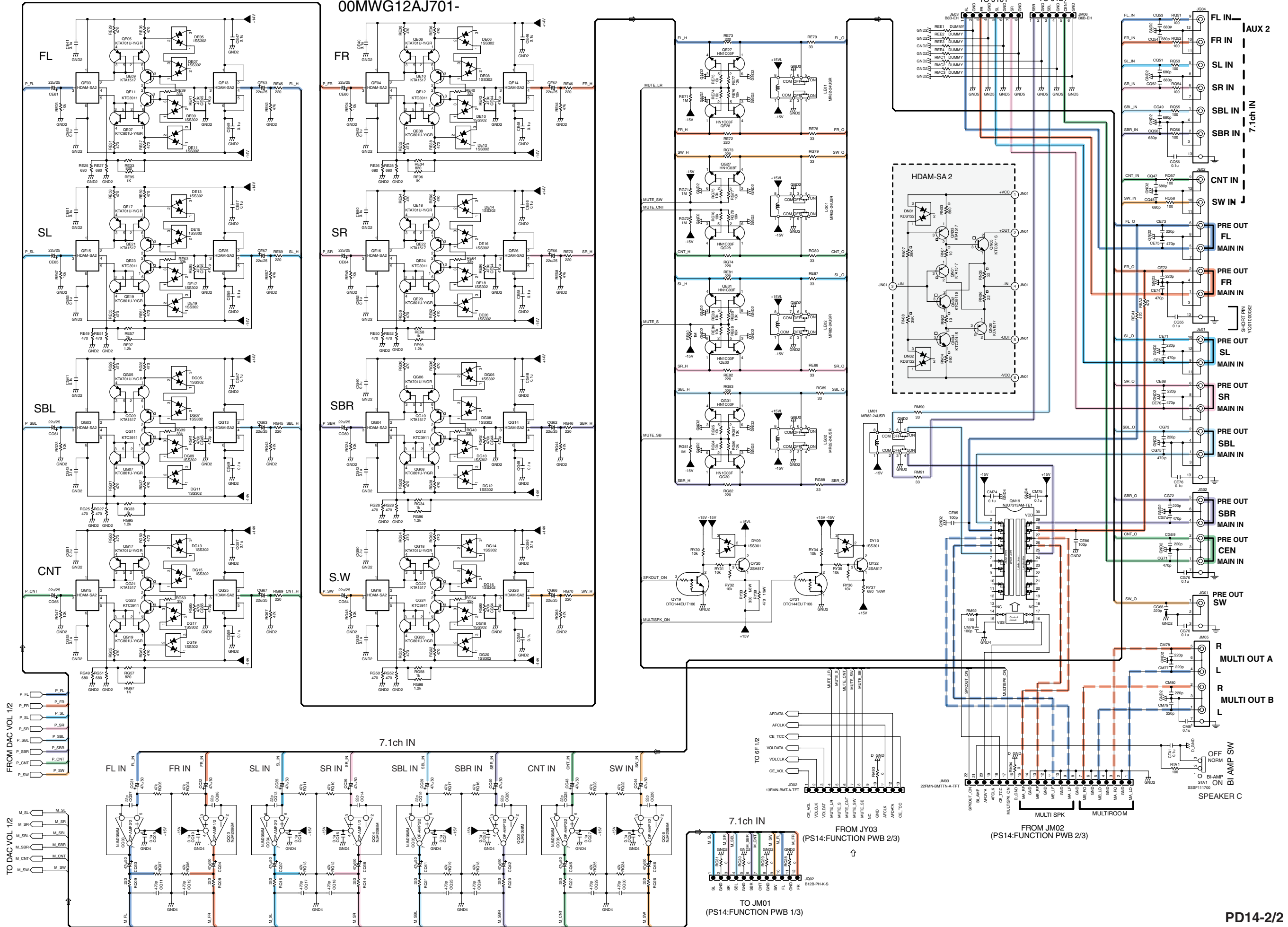
FUNCTION
PS14
00MWG12AJ801-

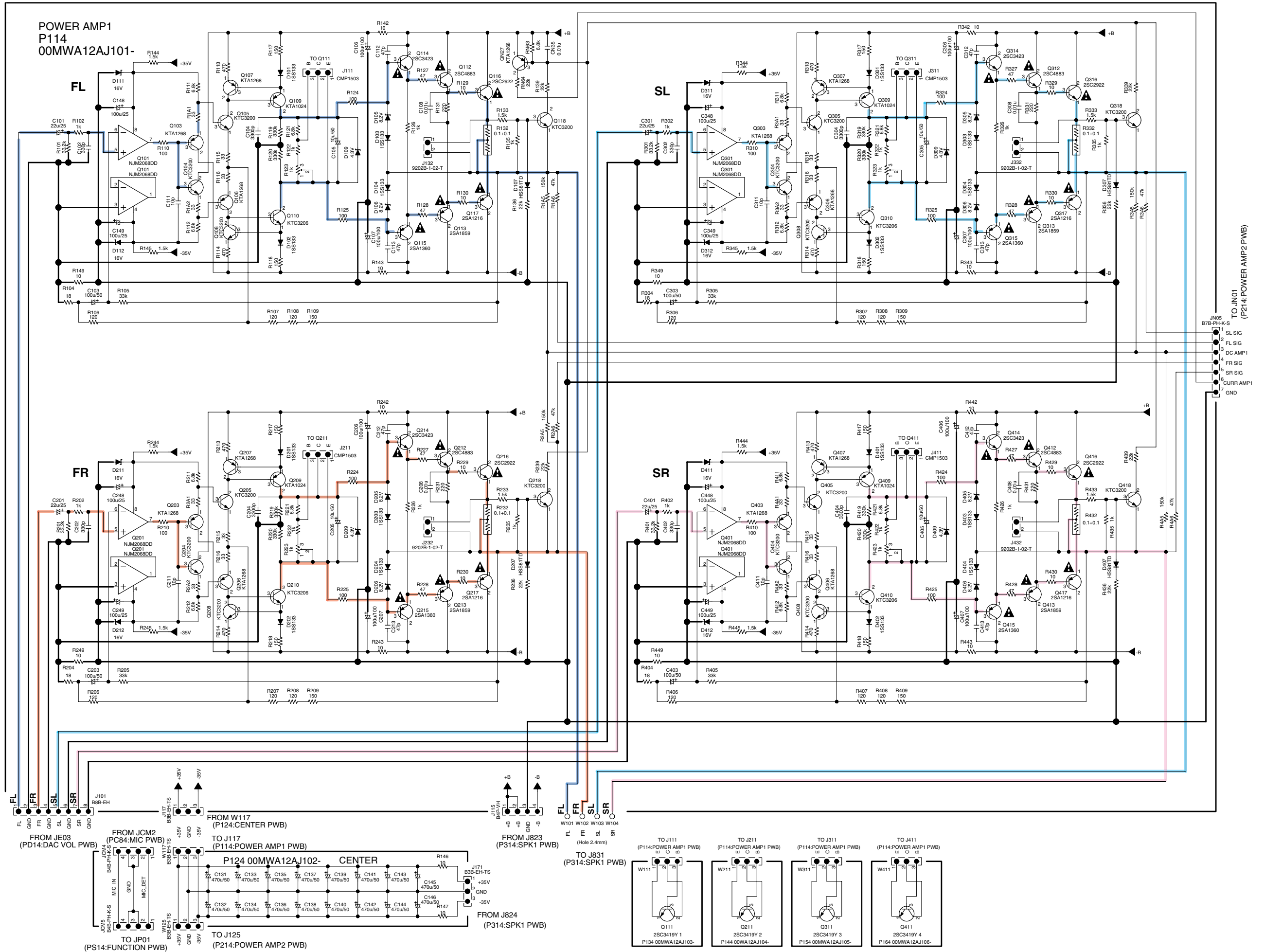


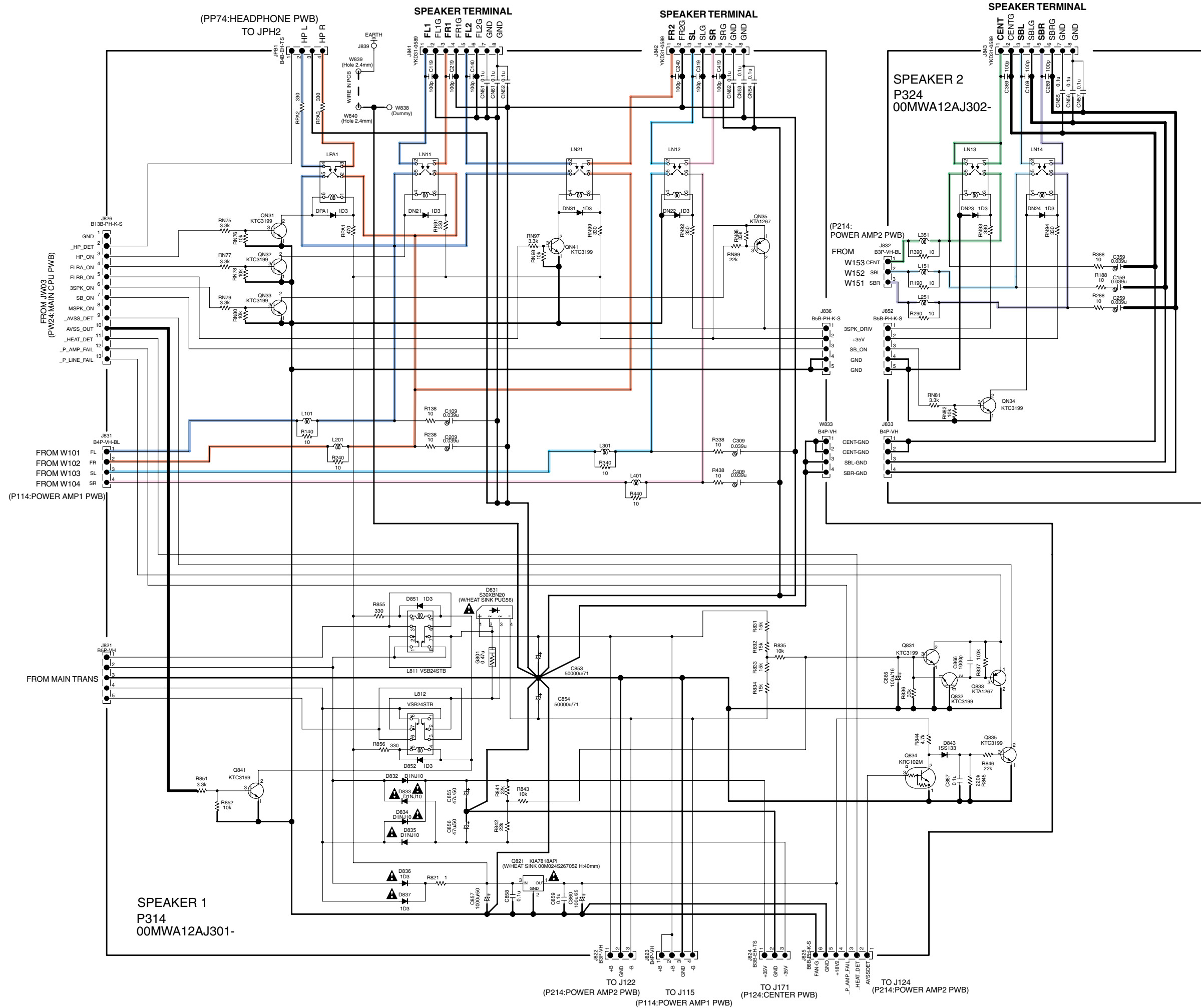
PD14
00MWG12AJ701-

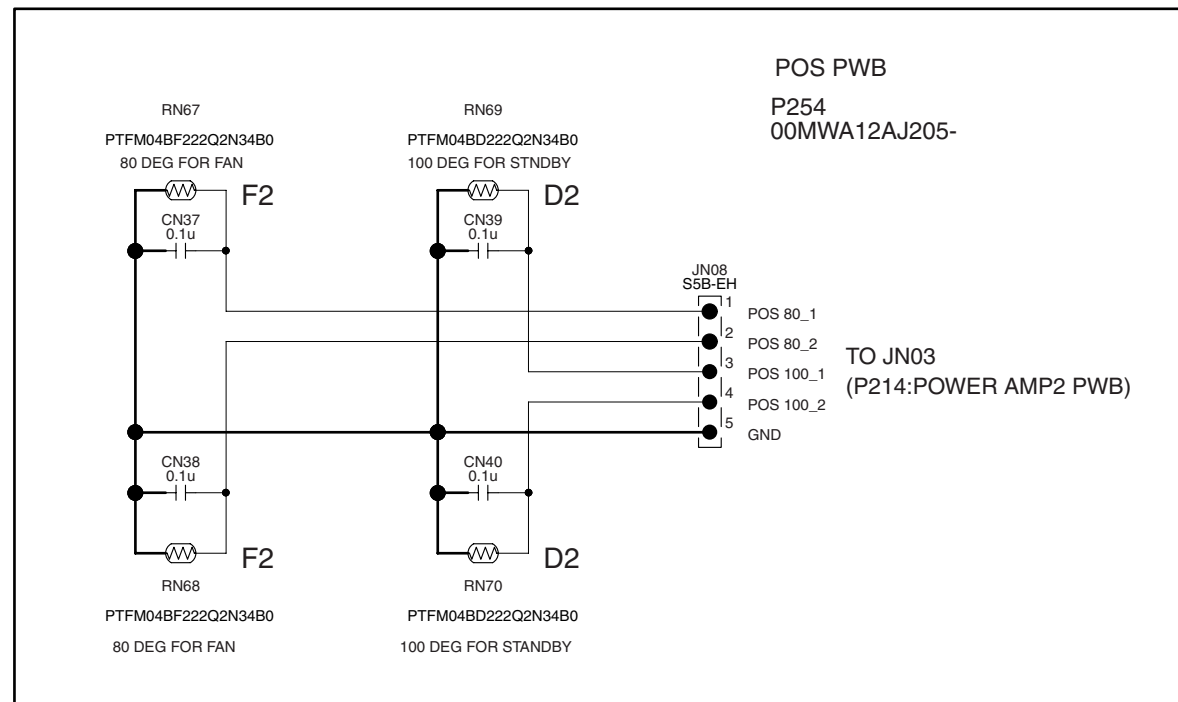
DAC VOL

(P114:POWER AMP1 PWB) (P214:POWER AMP2 PWB)
TO J101 TO J121



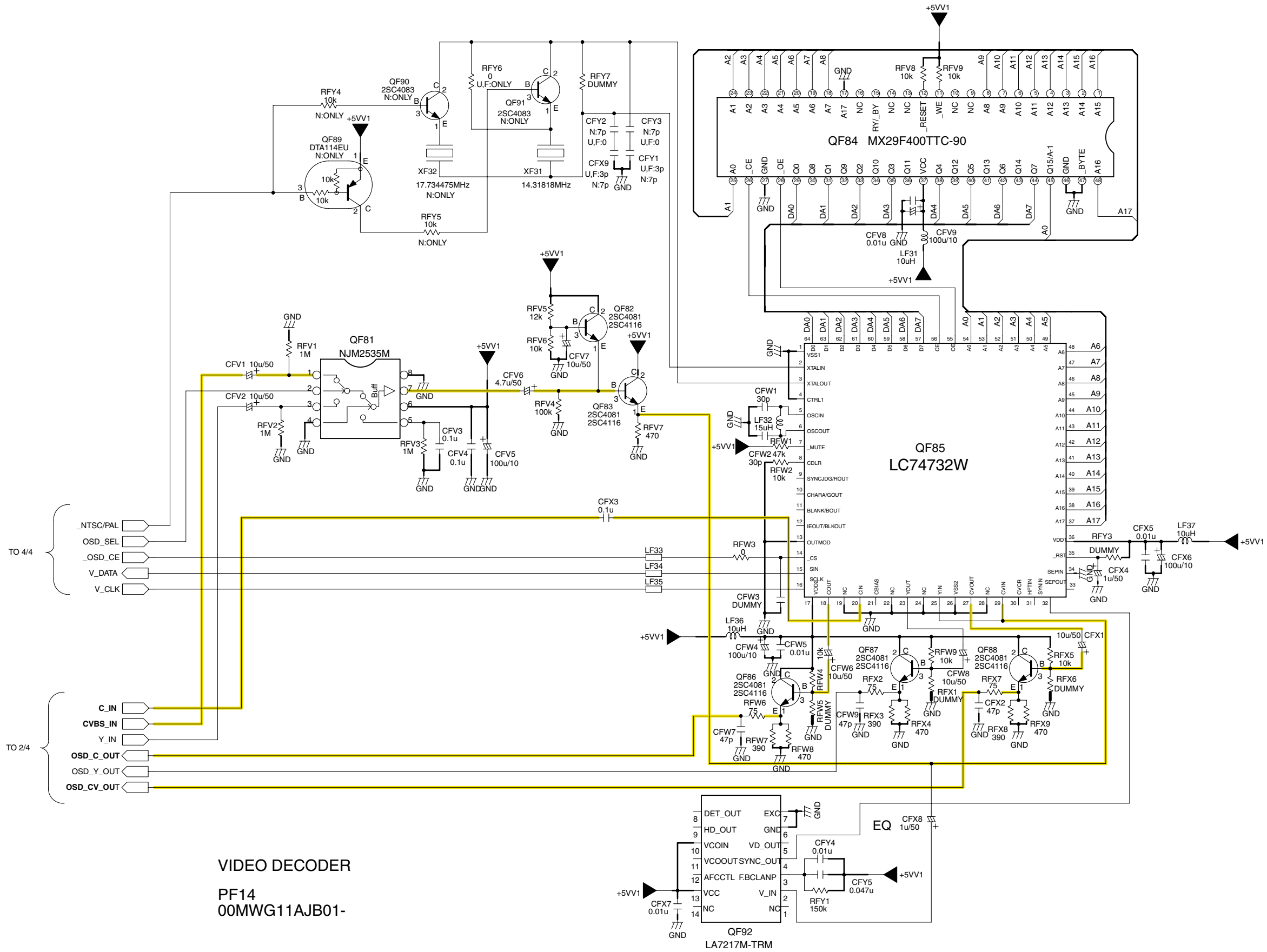


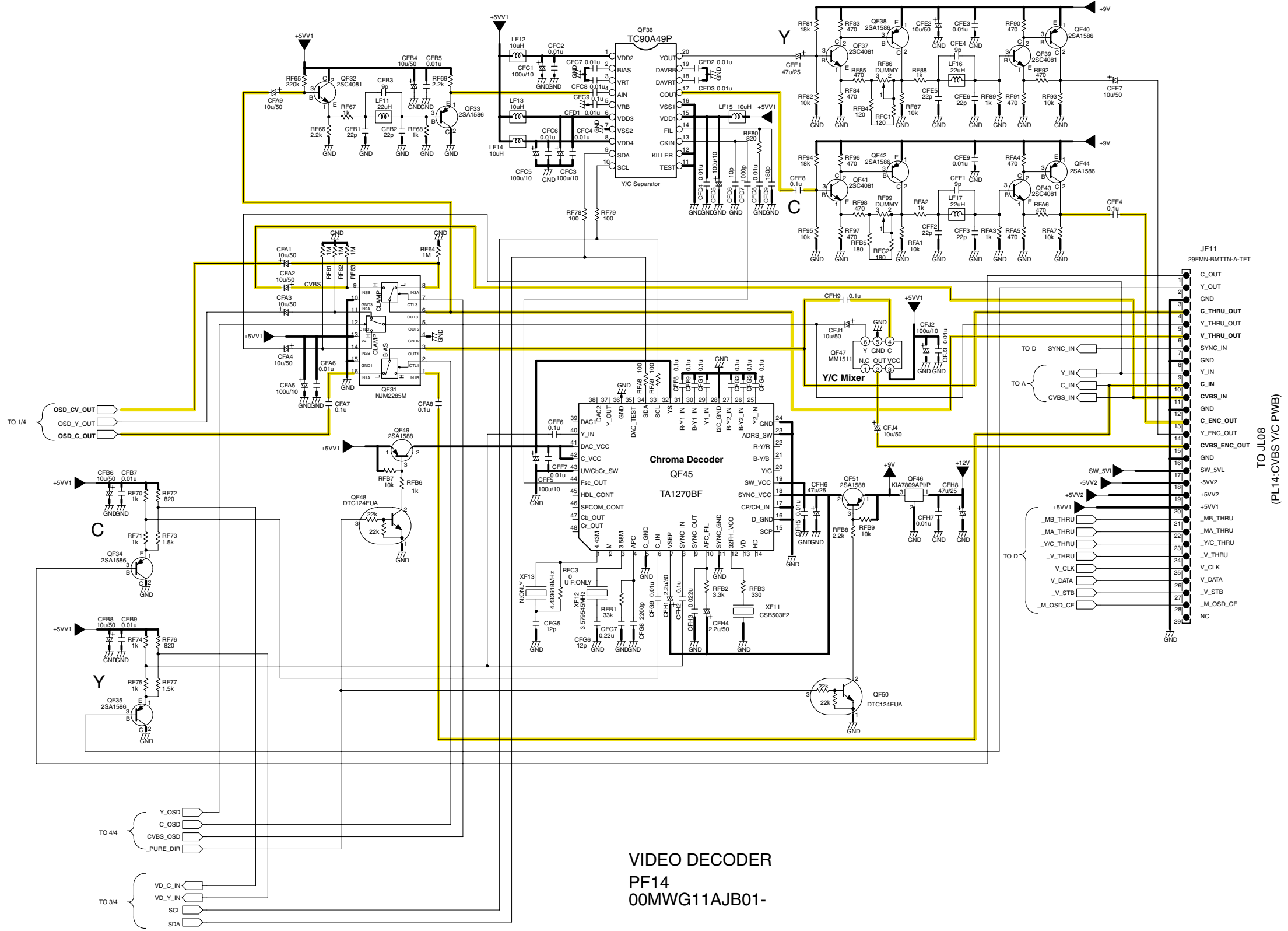




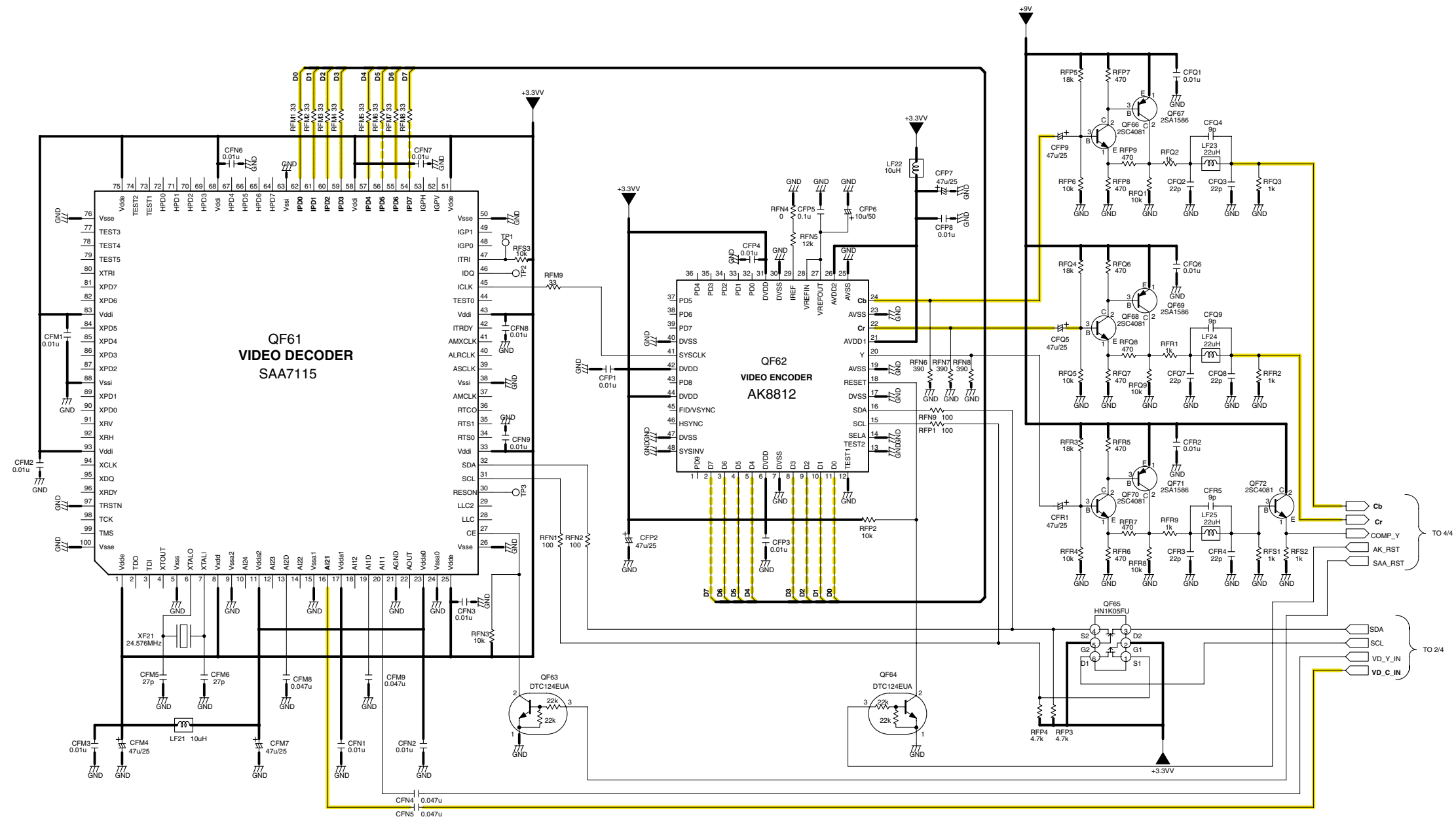
H-PROTECT PWB
 P264
 00MWA12AJ206-

 Only PWB

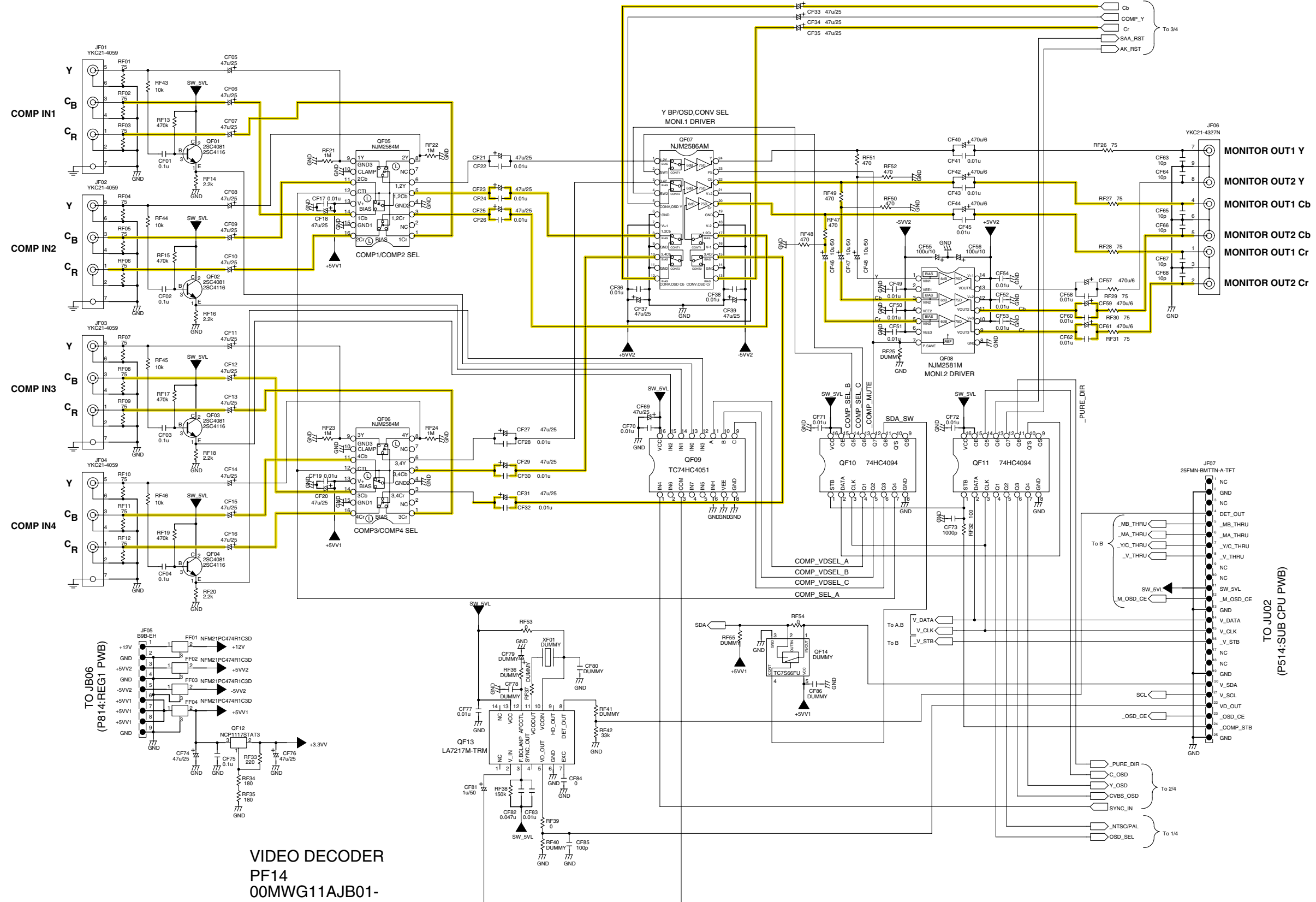


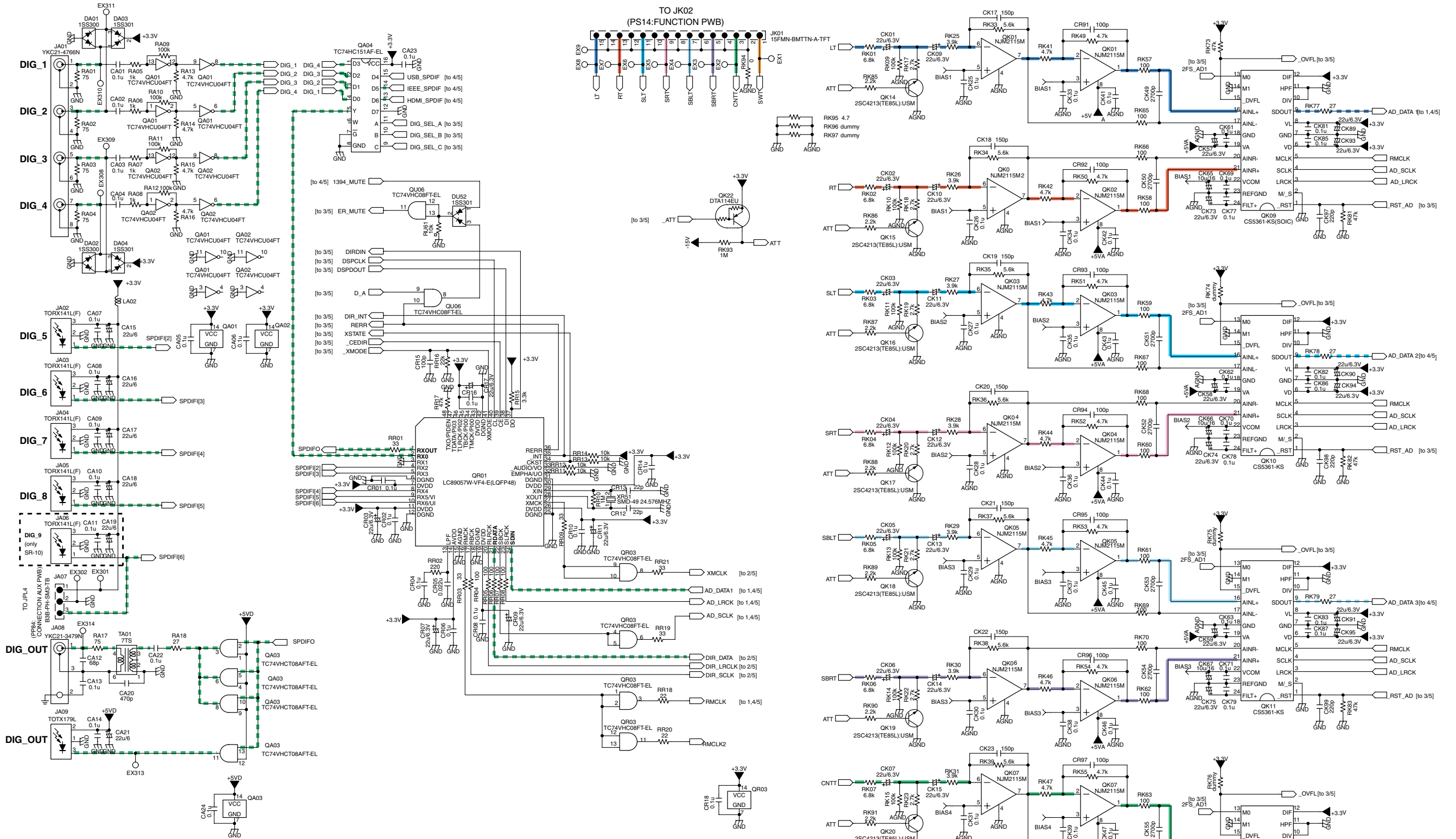


VIDEO DECODER
 PF14
 00MWG11AJB01-



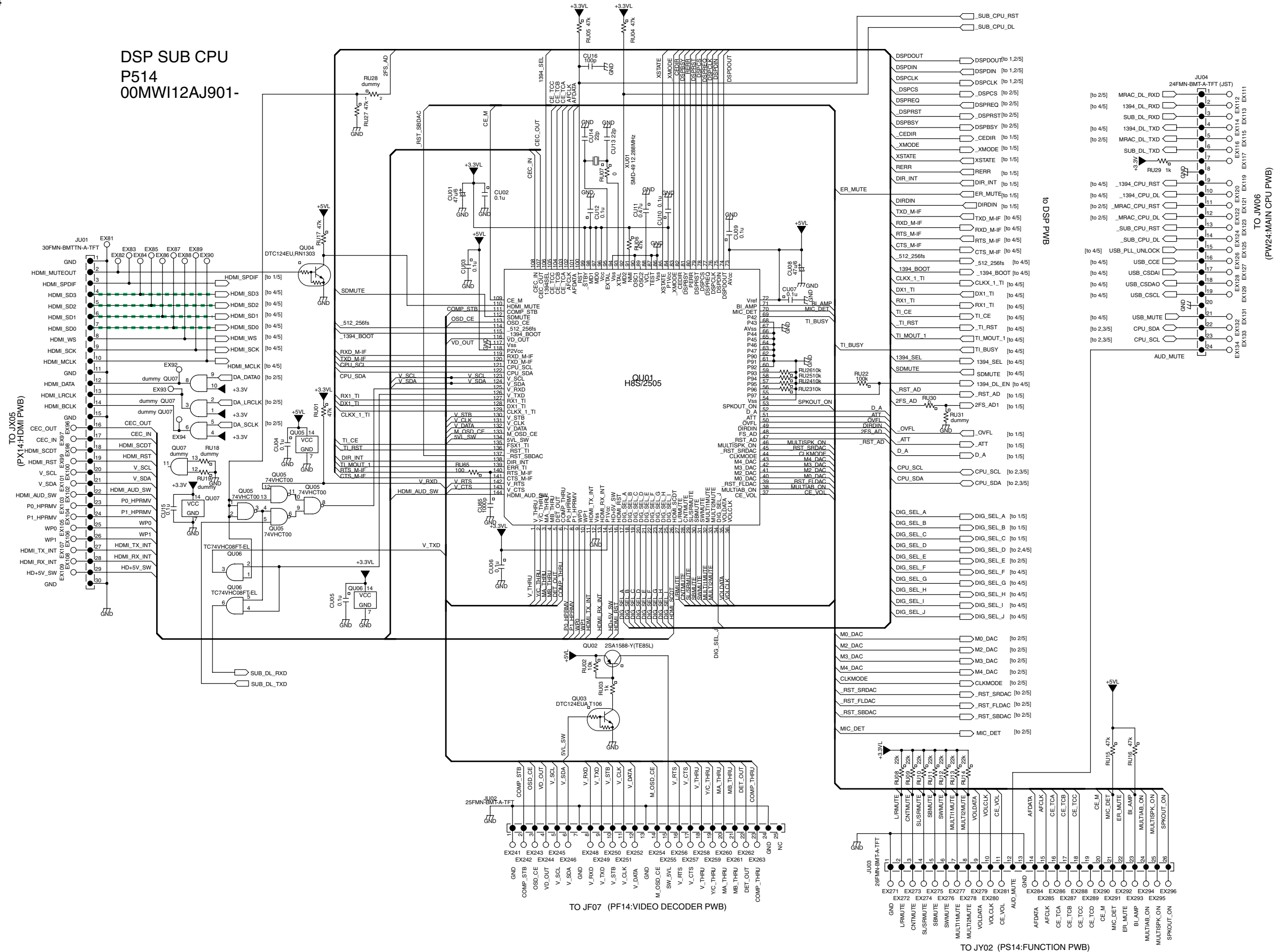
VIDEO DECODER
PF14
00MWG11AJB01-

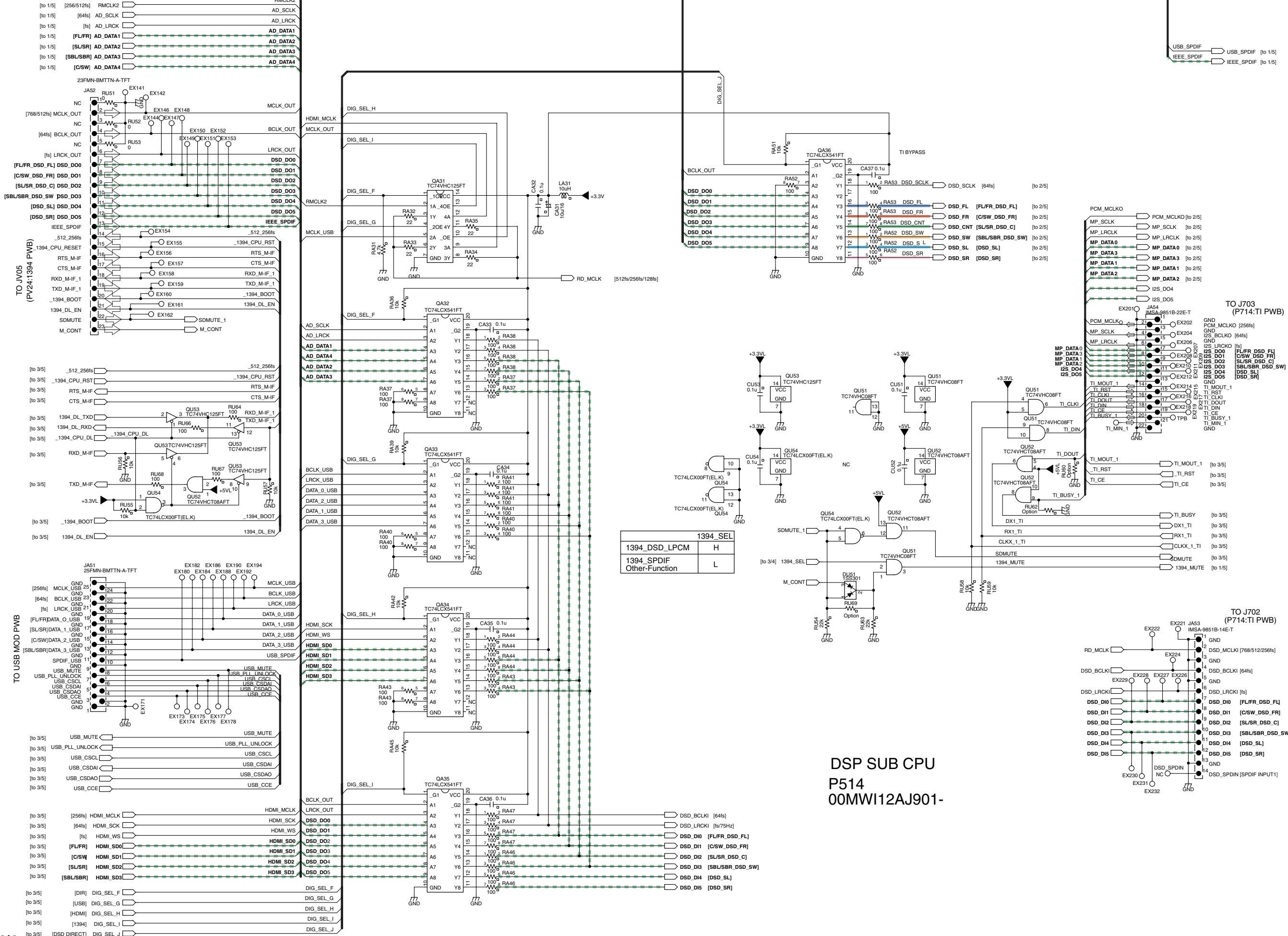




DSP SUB CPU
 P514
 00MW12AJ901-

DSP SUB CPU P514 00MW112AJ901-



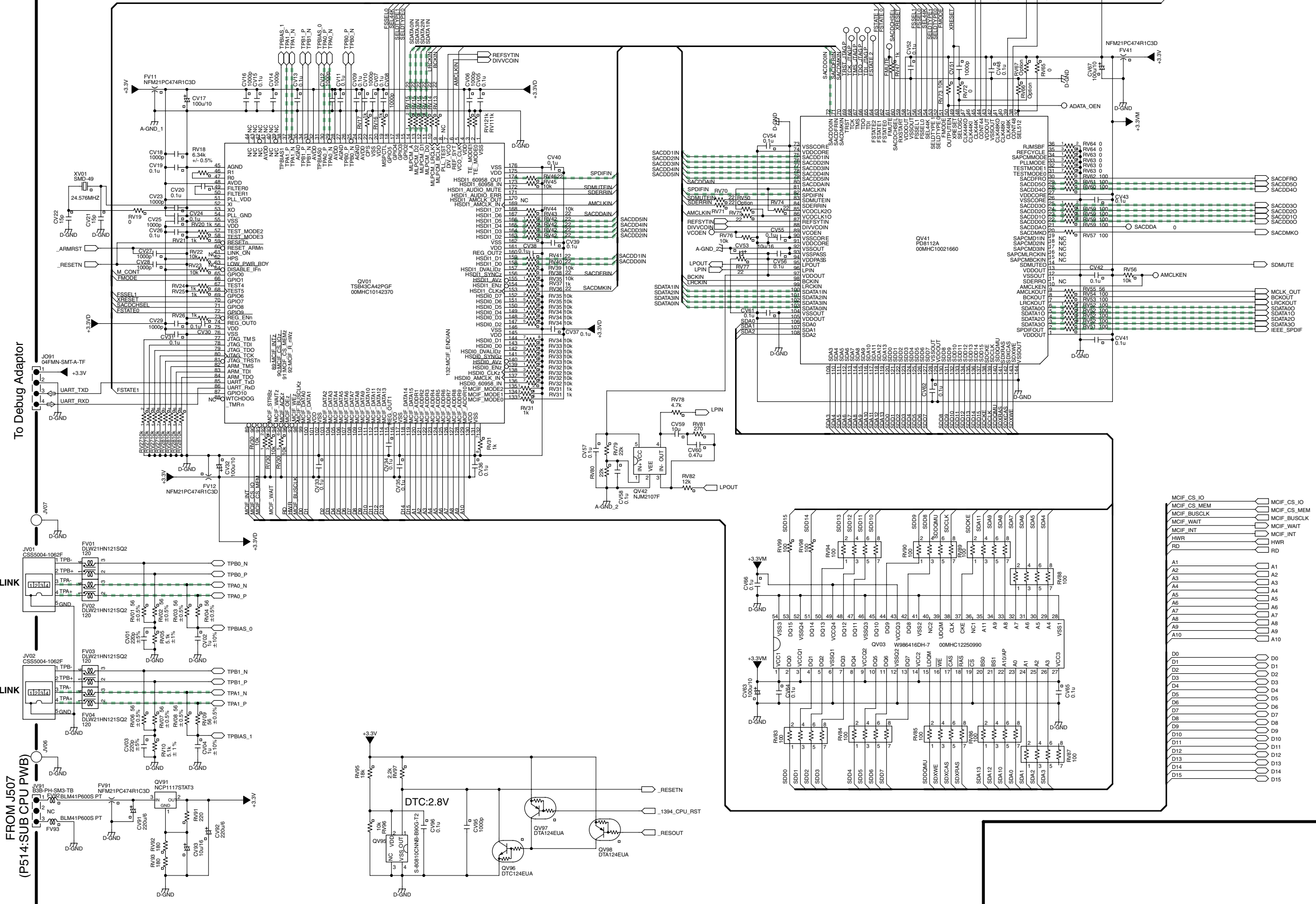


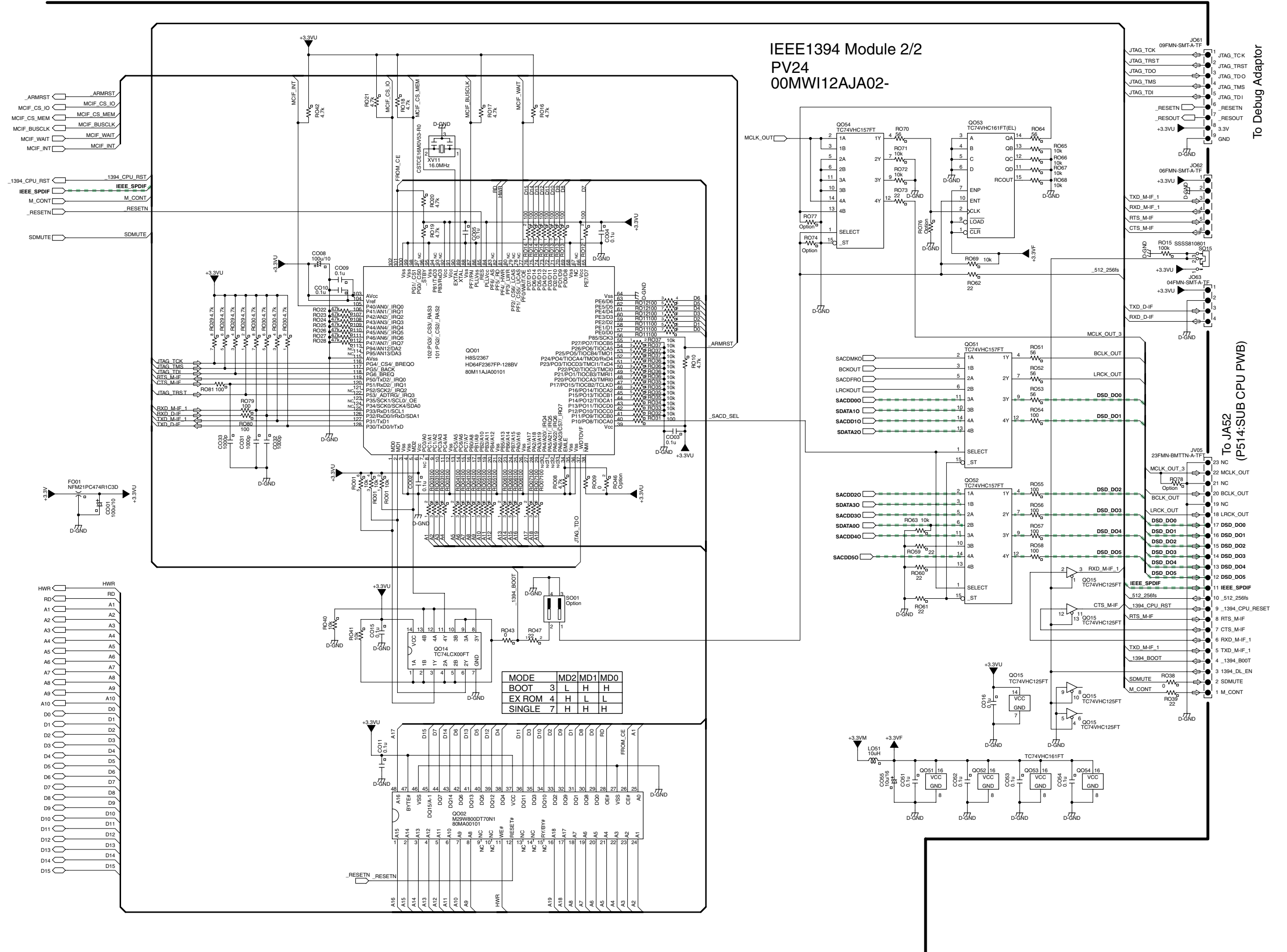
1394_SEL	
1394_DSD_LPCM	H
1394_SPDIF Other-Function	L

DSP SUB CPU
P514
00MWI12AJ901-

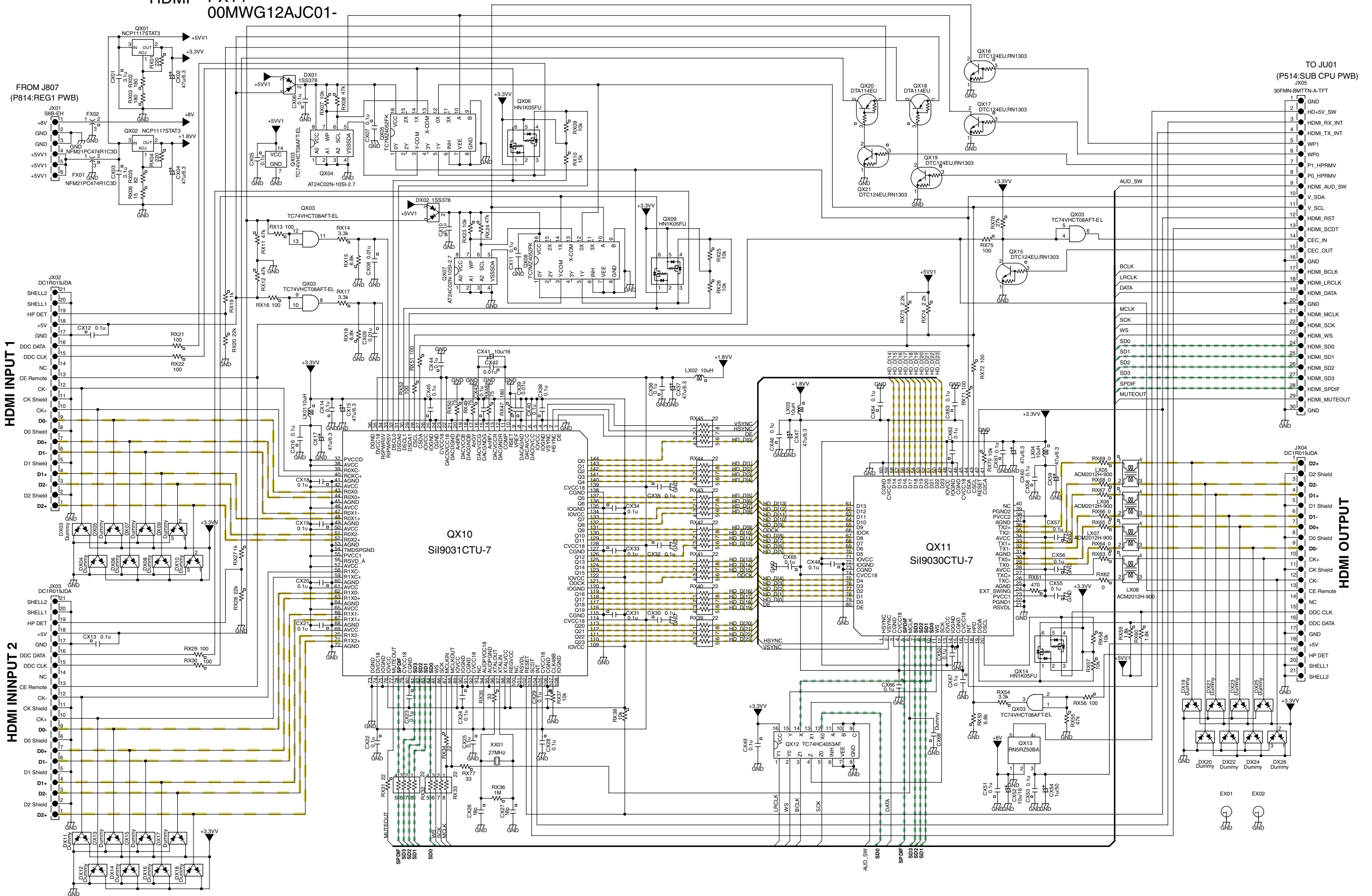
IEEE1394 Module 1/2

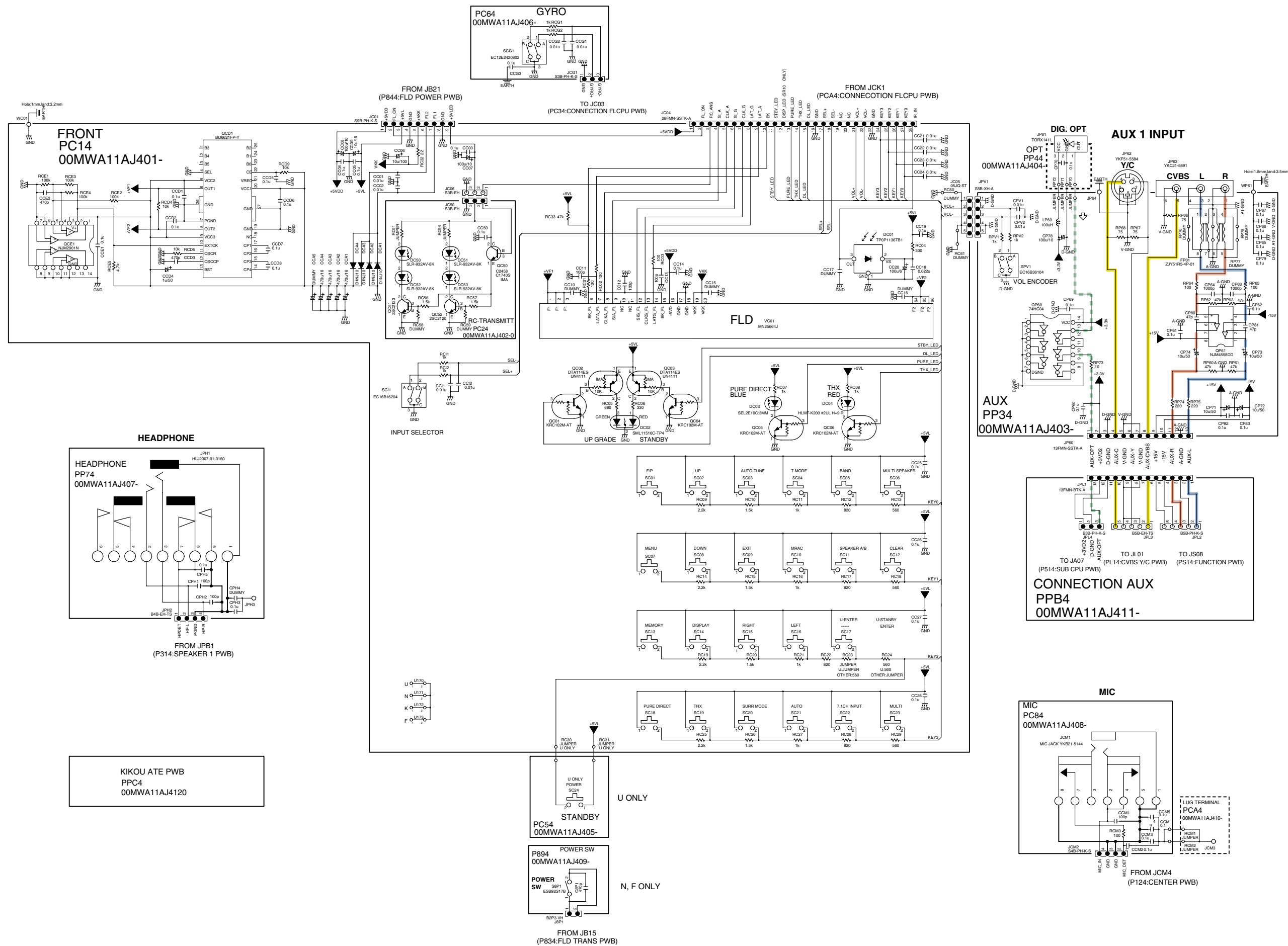
PV24
00MWI12AJA02-

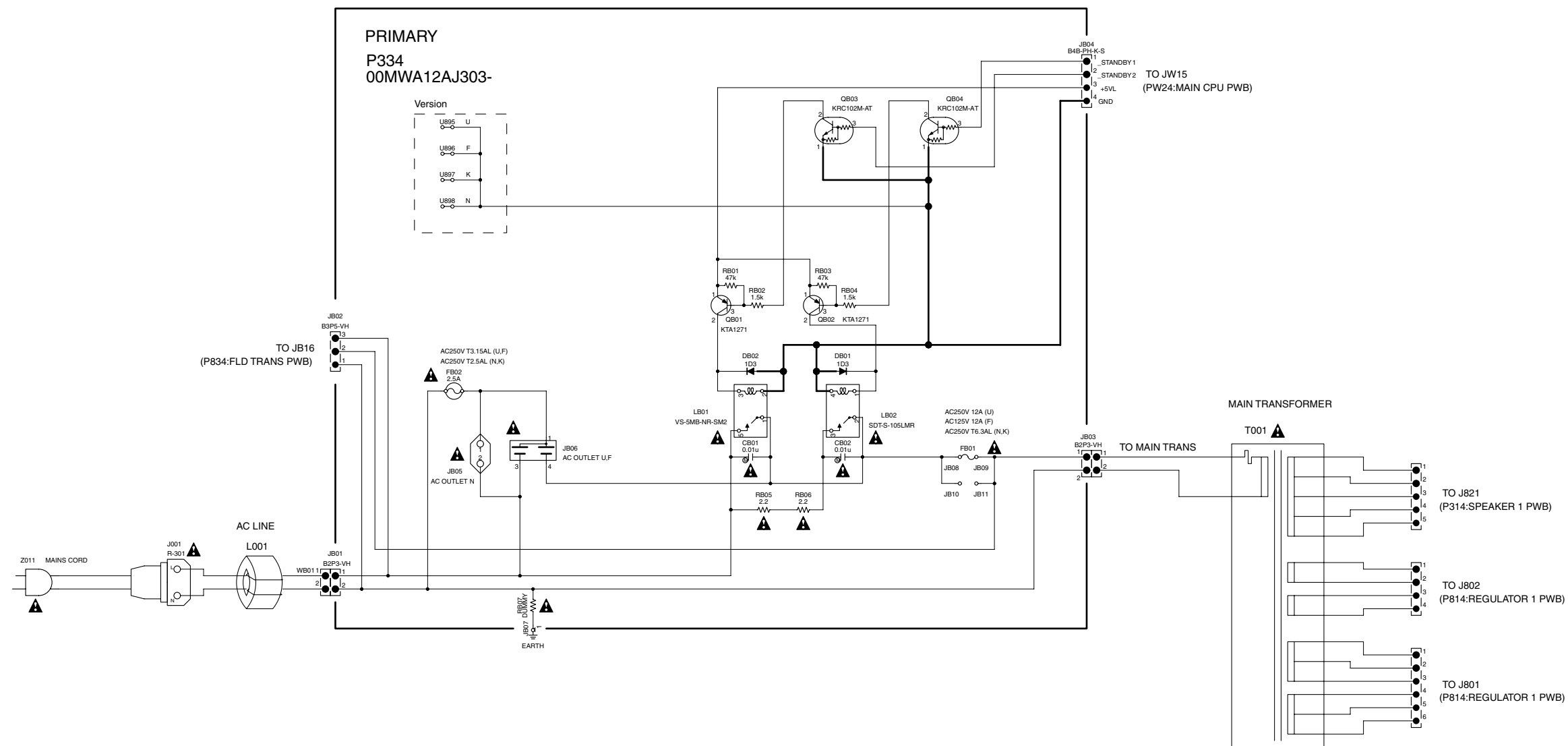


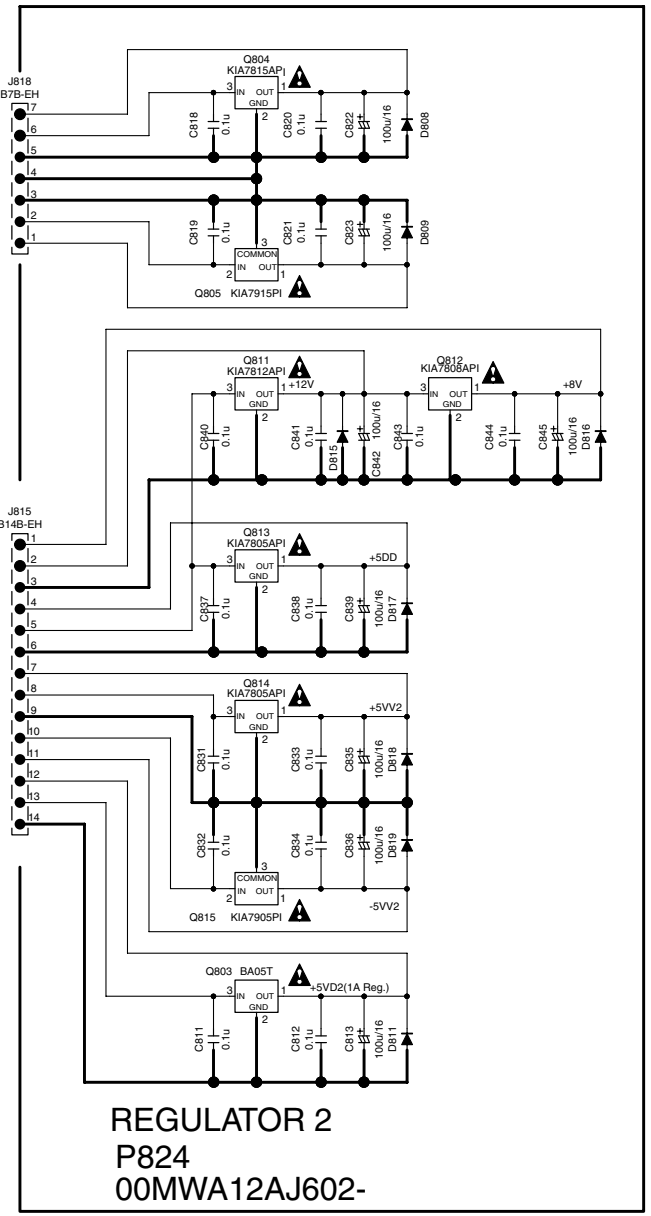
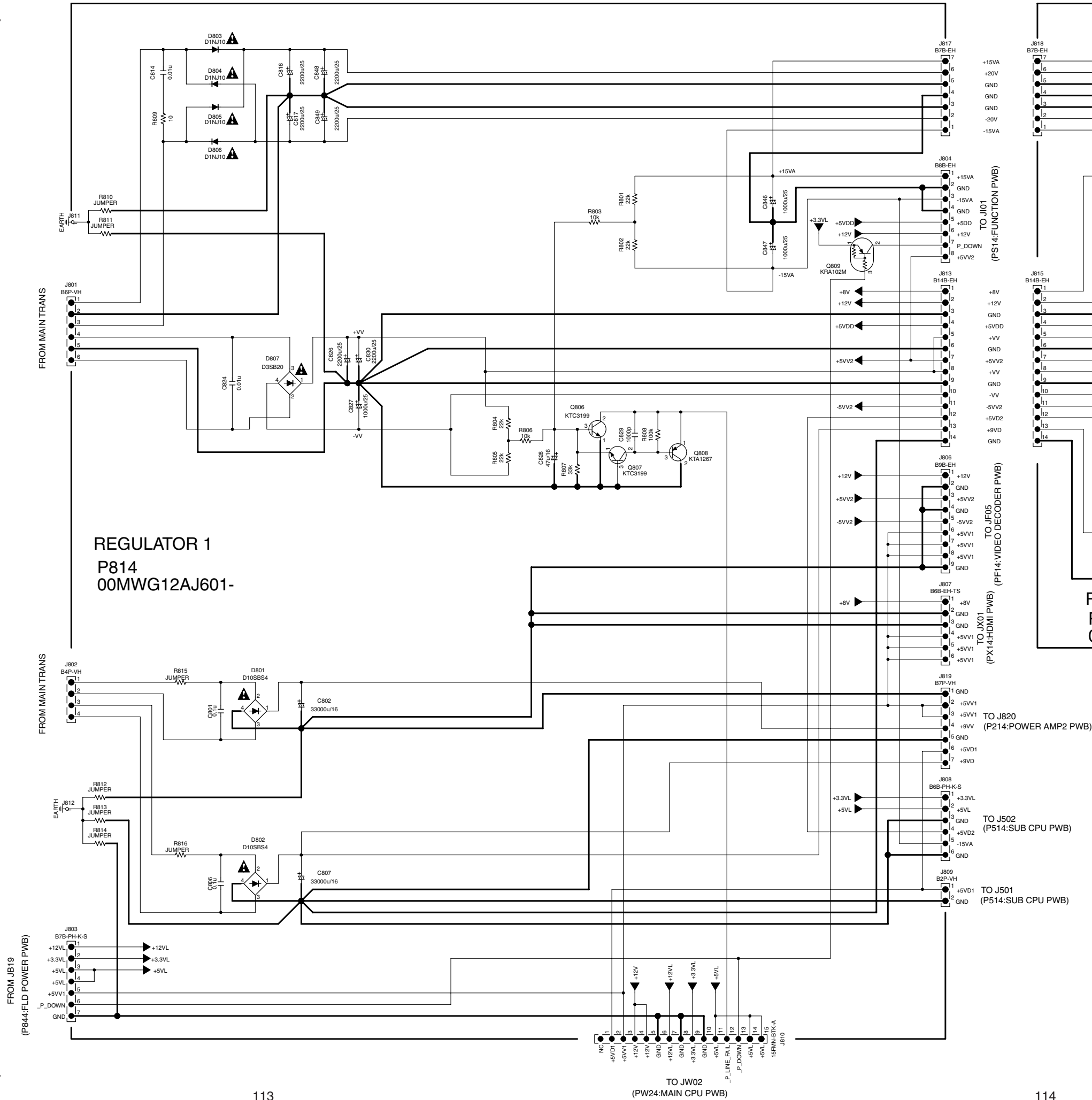


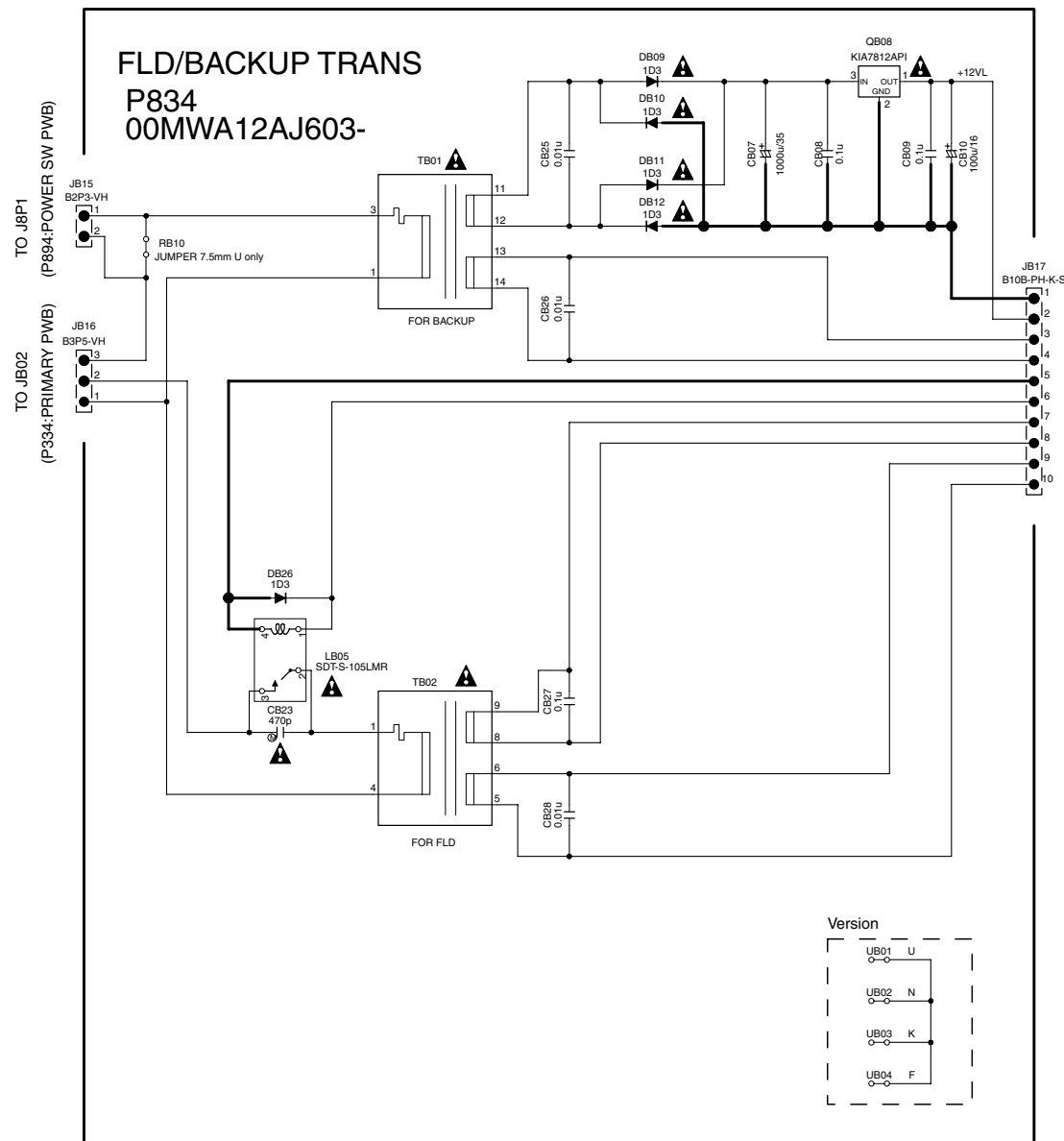
HDMI PX14 00MVG12AJC01-











GND
+12VL
AC 8V
AC 8V
GND
RELAY
AC 5V
AC 5V
AC 44V
AC 44V

